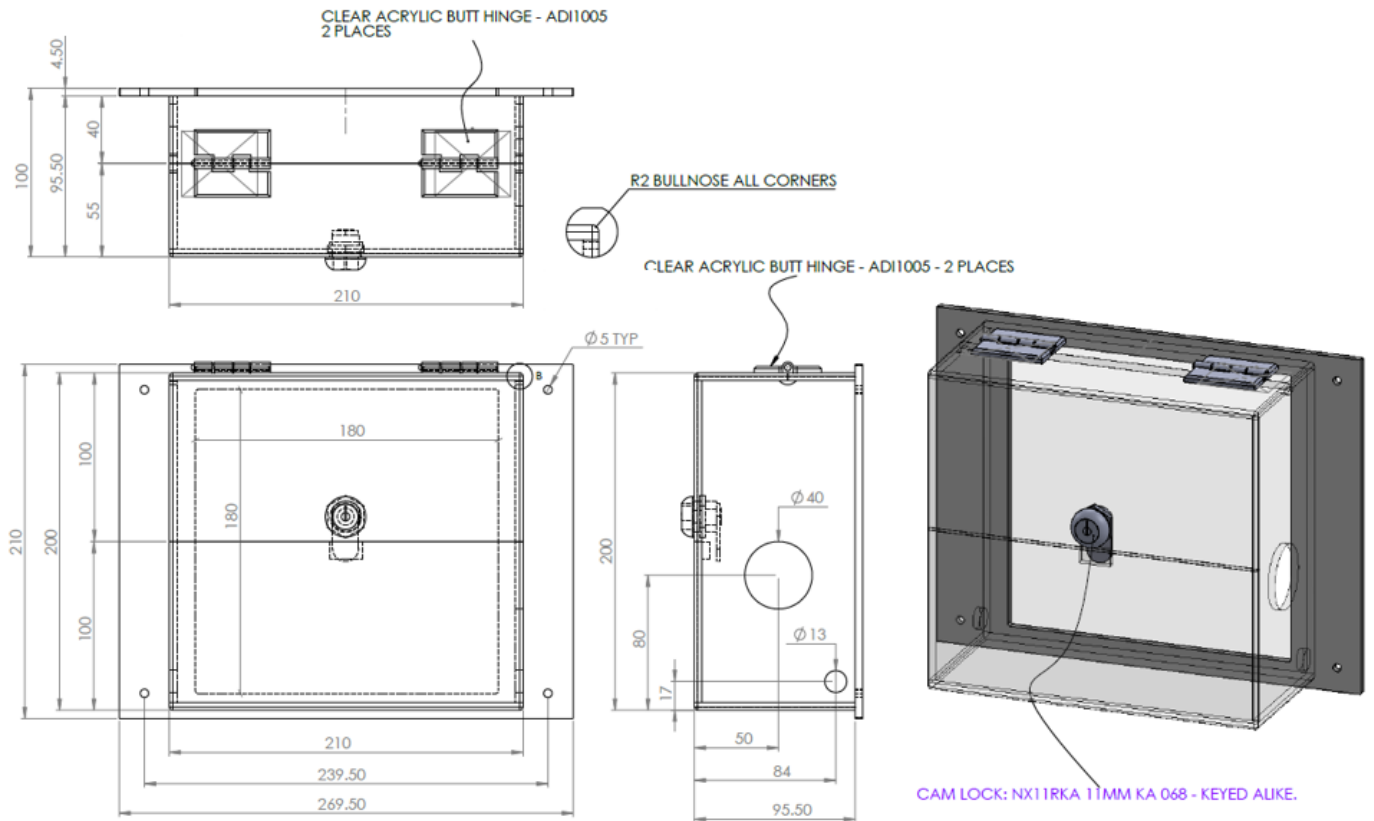


PERSPEX BOX MOUNTING GUIDE



- Boxes are mounted using 4 screws (The type of screw will depend on the surface the box is being mounted to).
- Boxes NEED to be accessible as students may need to get their head within 10 cm to connect their hearing aids.
We recommend a height of 1000mm AFL.
- Boxes have a 180mm x 180mm cutout in the back panel to enable clearance for various wall plate sizes that can be used for GPO or Audio.

ALL ELECTRICAL WORK SHOULD BE CARRIED OUT BY AN APPROPRIATELY QUALIFIED ELECTRICIAN