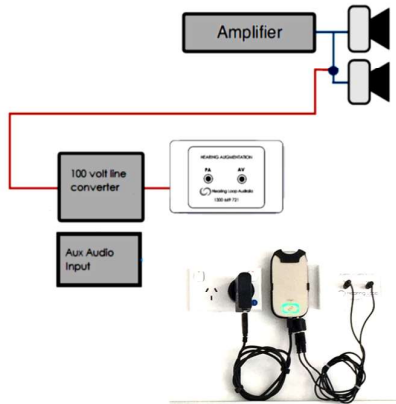


FULL GLA ELECTRICAL INSTALLATION GUIDE

CABLING / MEDIA HUB (PA Option)



Per GLA

CABLING:

PA Option —A figure 8 loop is to be provided from the PA speaker in each room and connected to the 100 volt line converter. The 100 volt line converter is connected to the rear of the double wall plate using the fly lead provided.

Audio Option—A 3.5mm stereo audio cable should be installed from the headphone jack on the audio source to the wall plate at the media hub location.

MEDIA-HUB:

The Media-Hub is mounted using the Roger Mount behind the TV or projector and requires USB or GPO power. TV may require a Digital to analogue converter.

CABLING / MEDIA HUB (Audio Option)



SOUNDFIELD SPEAKER:

Speakers to be wall mounted at the front away from the teachers main speaking location at 1400mm AFFL. GPO required. Please keep the power cable as discrete as possible.

PERSPEX BOX with Charging Rack, Roger Touchscreen & Pass Around Microphone:

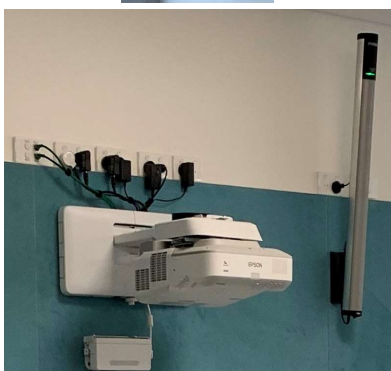
The Perspex box is to be installed above desk height around 800mm—1200mm AFFL. Please consider cupboards and other items which may impeded access. GPO to be internally mounted as shown.

SOUNDFIELD SPEAKER

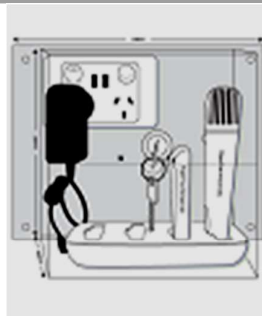


WALL PILOT (Optional):

The wall pilot must be installed 1200mm—1400mm AFFL at the primary entrance. Recommend using a quick connect. Power outlet with single gang plate.



PERSPEX BOX



WALL PILOT



Hearing Loop Australia
Keeping your audience in the loop

www.hearingloop.com.au
info@hearingloop.com.au
1300 669 721